

8

7

6

5

4

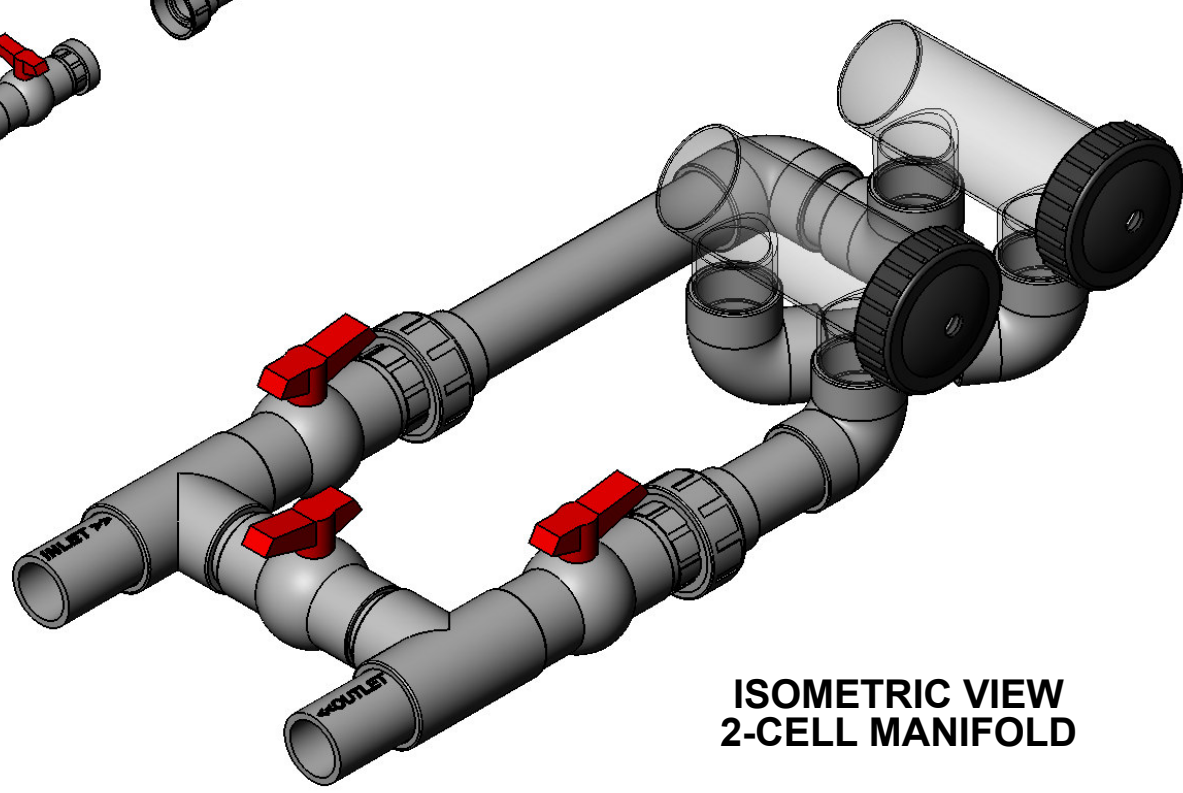
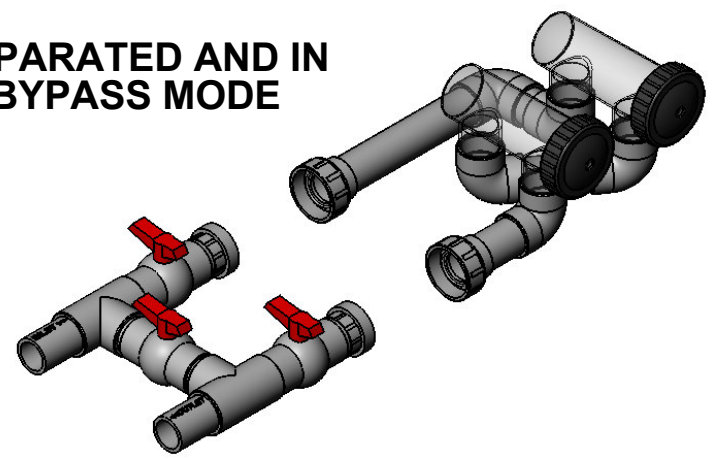
3

2

1

REV.		DESCRIPTION		REVISIONS		DATE	APPROVED
A		ORIGINAL RELEASE				05/09/09	

SEPARATED AND IN BYPASS MODE



**ISOMETRIC VIEW
2-CELL MANIFOLD**

ITEM NO.	PART OR IDENTIFYING NO.	NOMENCLATURE OR DESCRIPTION	MATERIAL SPECIFICATION	QTY	REQD
PARTS LIST					
UNLESS OTHERWISE SPECIFIED DIMENSIONS ARE IN INCHES TOLERANCES ARE:		DRAWN PER ANSI Y14.5-1994			
DECIMALS	ANGLES	APPROVALS			
.XX+/- .12	+/- 30'	DATE	05/09/09		
.XXX+/- .05		DRAWN	K. ROPER		
.XXX+/- .03		CHECKED			
MATERIAL	--	RESP ENG			
FINISH	--	MFG ENG			
DO NOT SCALE DRAWING		QUAL ENG			
		SALINE GENERATING SYSTEMS		1436 W. 12TH PLACE, TEMPE, AZ 85281-5214	
		THE INFORMATION CONTAINED IN THIS DRAWING IS THE SOLE PROPERTY OF SALINE GENERATING SYSTEMS. ANY REPRODUCTION WITHOUT THE WRITTEN PERMISSION OF SGS IS PROHIBITED.			
		DRAWING NAME			
		TWO CELL MANIFOLD			
		SIZE	DWG. NO.	REV.	
		C	SGS 2 CELL	A	
		SCALE	1/1	CAD FILE	SHEET 1 OF 3

8

7

6

5

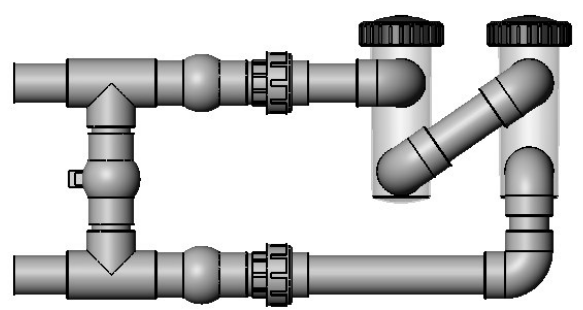
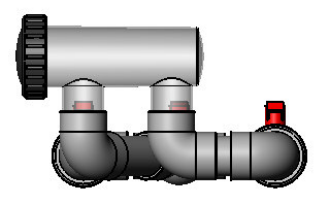
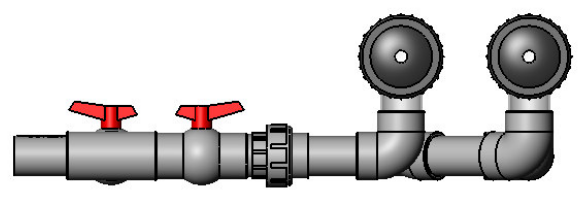
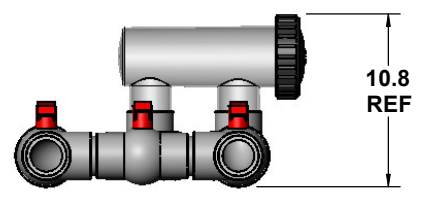
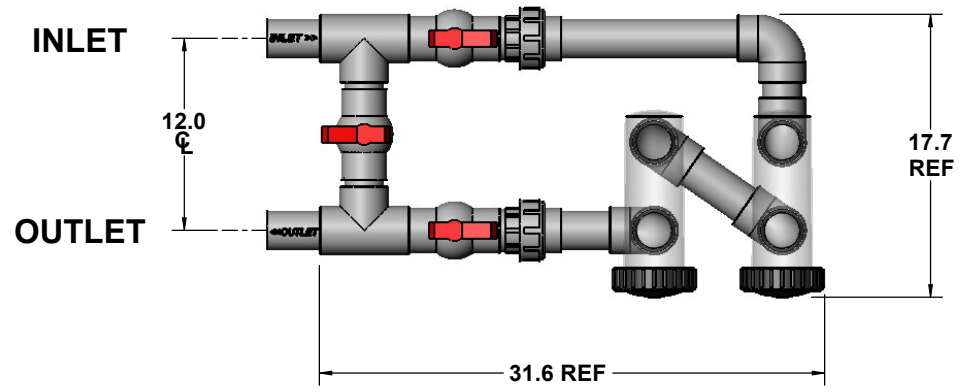
4

3

2

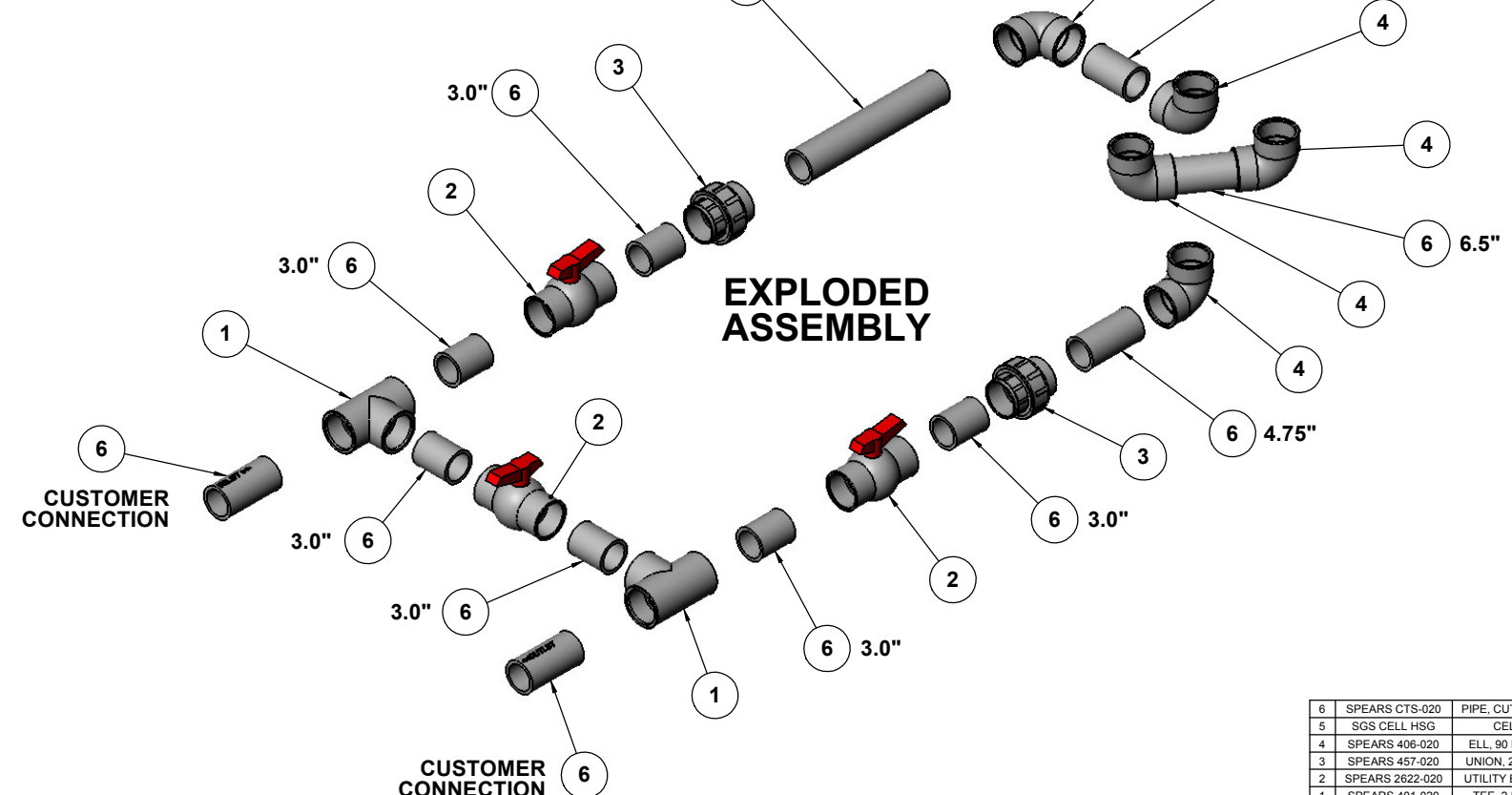
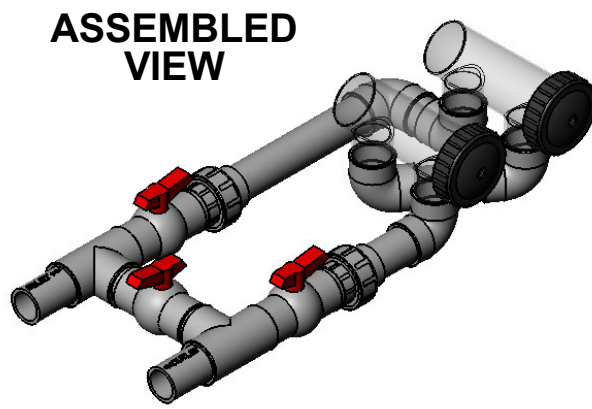
1

REV.		REVISIONS		DATE	APPROVED
A	ORIGINAL RELEASE			05/09/09	



ITEM NO.	PART OR IDENTIFYING NO.	NOMENCLATURE OR DESCRIPTION	MATERIAL SPECIFICATION	QTY	REQD
PARTS LIST					
UNLESS OTHERWISE SPECIFIED DIMENSIONS ARE IN INCHES TOLERANCES ARE:		SALINE GENERATING SYSTEMS			
		1436 W. 12TH PLACE, TEMPE, AZ 85281-5214			
DECIMALS	ANGLES	APPROVALS	DATE	THE INFORMATION CONTAINED IN THIS DRAWING IS THE SOLE PROPERTY OF SALINE GENERATING SYSTEMS. ANY REPRODUCTION WITHOUT THE WRITTEN PERMISSION OF SGS IS PROHIBITED.	
.XX+/- .12	+/-30'	DRAWN	05/09/09		
.XXX+/- .05		K. ROPER			
.XXX+/- .03		CHECKED			
MATERIAL	--	RESP ENG		TWO CELL MANIFOLD	
FINISH	--	MFG ENG			
DO NOT SCALE DRAWING		QUAL ENG			
		SIZE: DWG. NO. C	SGS 2 CELL		REV. A
		SCALE: 1/1" = 1.00" CAD FILE	SHEET 2 OF 3		

REV.		REVISIONS		DATE	APPROVED
A	ORIGINAL RELEASE			05/09/09	



ITEM NO.	PART OR IDENTIFYING NO.	NOMENCLATURE OR DESCRIPTION	MATERIAL SPECIFICATION	QTY	RECD
6	SPEARS CTS-020	PIPE, CUT TO LENGTHS AS NOTED	SCH 40 PVC	2	
5	SGS CELL HSG	CELL HOUSING, CLEAR	ACRYLIC	2	
4	SPEARS 406-020	ELL, 90 DEG, 2 INCH, SOC x SOC	SCH 40 PVC	5	
3	SPEARS 457-020	UNION, 2 INCH, SOC x SOC x SOC	SCH 40 PVC	2	
2	SPEARS 2622-020	UTILITY BALL VALVE, 2 INCH, SOC	SCH 40 PVC	3	
1	SPEARS 401-020	TEE, 2 INCH, SOC x SOC x SOC	SCH 40 PVC	2	

PARTS LIST		APPROVALS		DATE
DECIMALS	ANGLES	APPROVALS		05/09/09
XXX+/- .12	+/-30'	DRAWN	K. ADP/EP	
XXX+/- .05		CHECKED		
XXX+/- .03		RESP ENG		
MATERIAL		MFG ENG		
FINISH		QUAL ENG		
DO NOT SCALE DRAWING				

SALINE GENERATING SYSTEMS			
1436 W. 12TH PLACE, TEMPE, AZ 85281-5214			
THE INFORMATION CONTAINED IN THIS DRAWING IS THE SOLE PROPERTY OF SALINE GENERATING SYSTEMS. ANY REPRODUCTION WITHOUT THE WRITTEN PERMISSION OF SGS IS PROHIBITED.			
DRAWING NAME			
TWO CELL MANIFOLD			
SIZE	DWG. NO.	REV.	
C	SGS 2 CELL	A	
SCALE	1/1" = 1/4" FILE	CAD FILE	SHEET 3 OF 3