

8

7

6

5

4

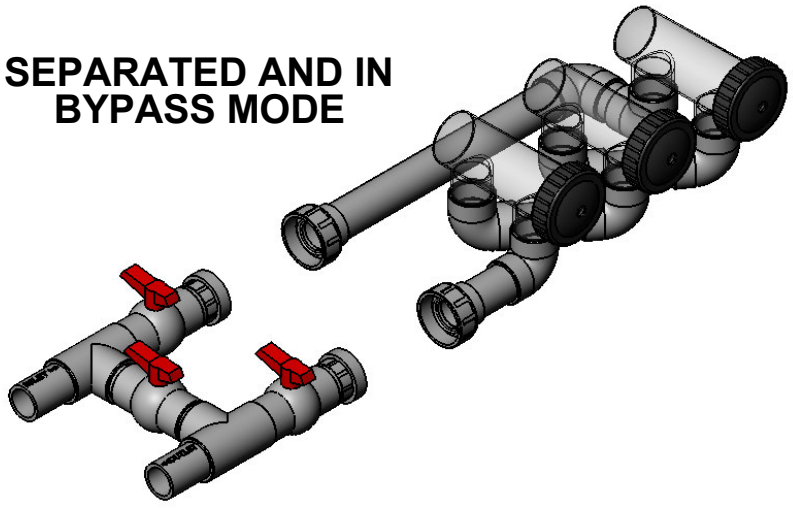
3

2

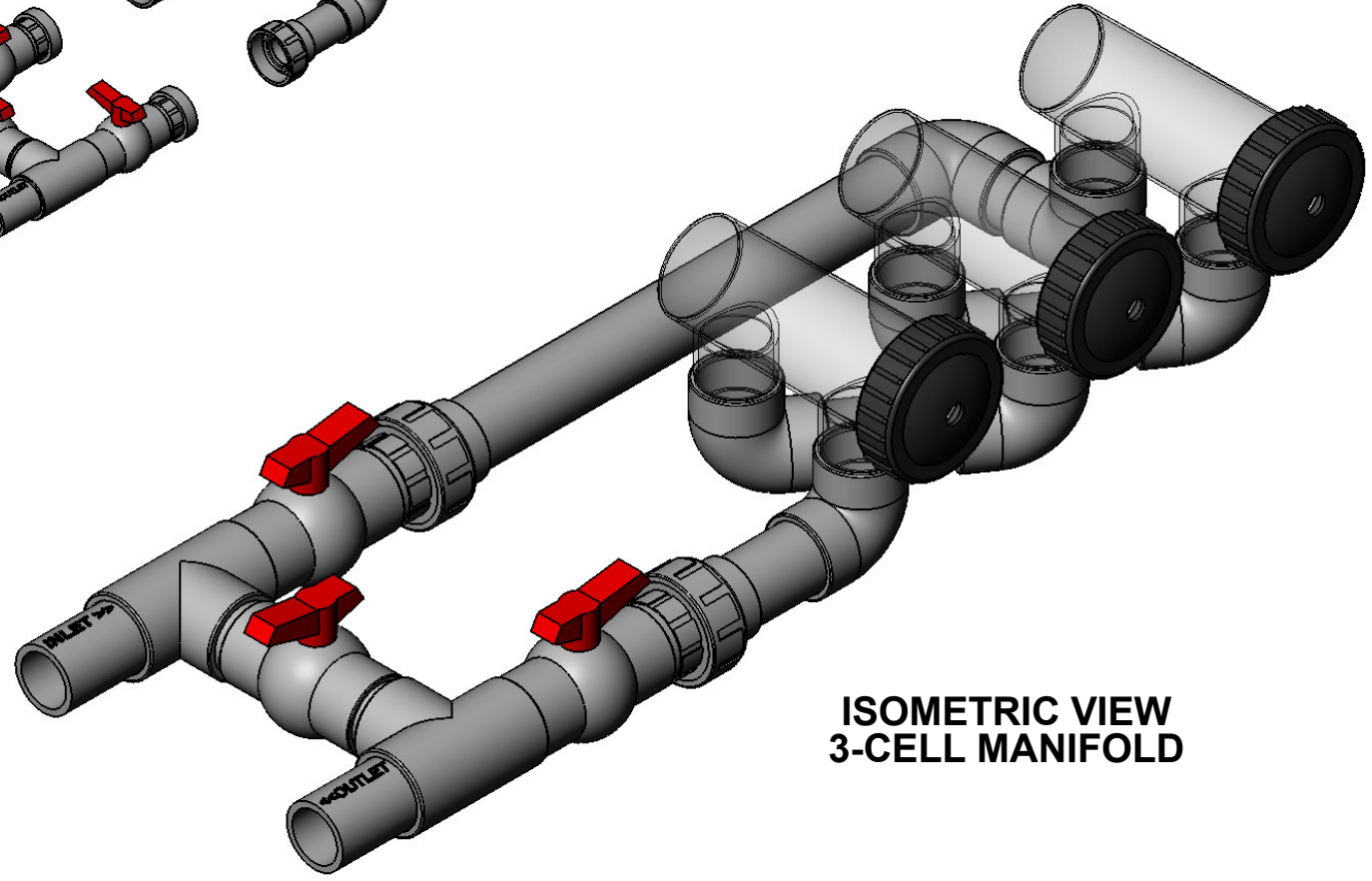
1

REV.		DESCRIPTION		REVISIONS		DATE	APPROVED
A		ORIGINAL RELEASE				05/09/09	

SEPARATED AND IN BYPASS MODE



**ISOMETRIC VIEW
3-CELL MANIFOLD**



ITEM NO.	PART OR IDENTIFYING NO.	NOMENCLATURE OR DESCRIPTION	MATERIAL SPECIFICATION	QTY	RECD
PARTS LIST					
UNLESS OTHERWISE SPECIFIED DIMENSIONS ARE IN INCHES TOLERANCES ARE:		DRAWN PER ANSI Y14.5-1994			
DECIMALS	ANGLES	APPROVALS			
.XX+/- .12	+/- 30'	DRAWN	DATE	THE INFORMATION CONTAINED IN THIS DRAWING IS THE SOLE PROPERTY OF SALINE GENERATING SYSTEMS. ANY REPRODUCTION WITHOUT THE WRITTEN PERMISSION OF SGS IS PROHIBITED.	
.XXX+/- .03		K. ROPER	05/09/09	DRAWING NAME	
MATERIAL		THREE CELL MANIFOLD			
---		RESP ENG		SIZE/DWG. NO.	
---		MFG ENG		C	
DO NOT SCALE DRAWING		QUAL ENG		SCALE	1/1 CAD FILE
				SHEET	1 OF 3

8

7

6

5

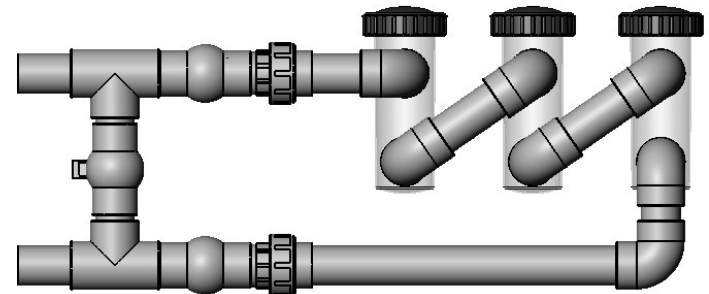
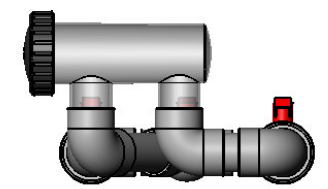
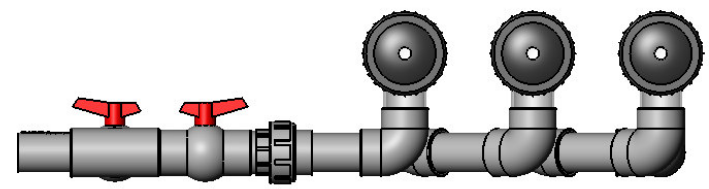
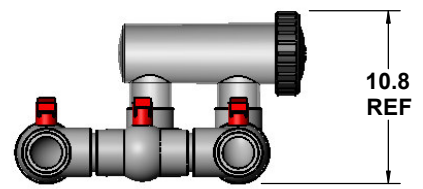
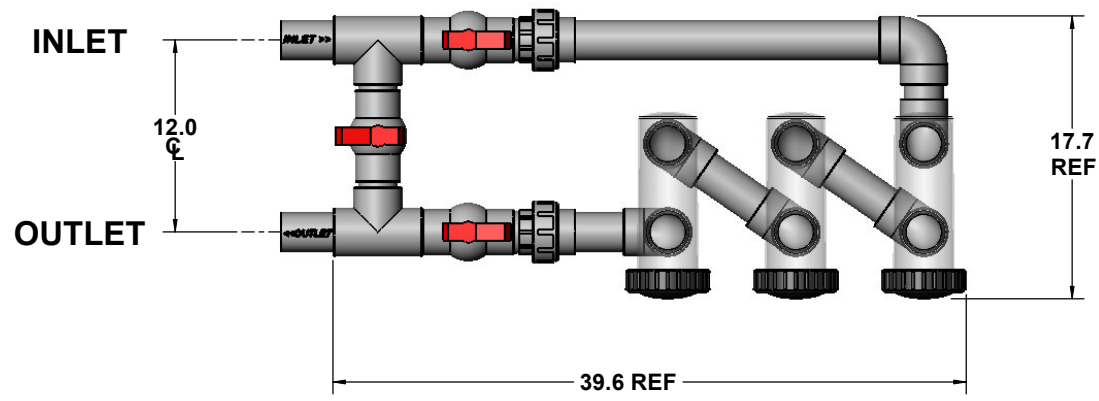
4

3

2

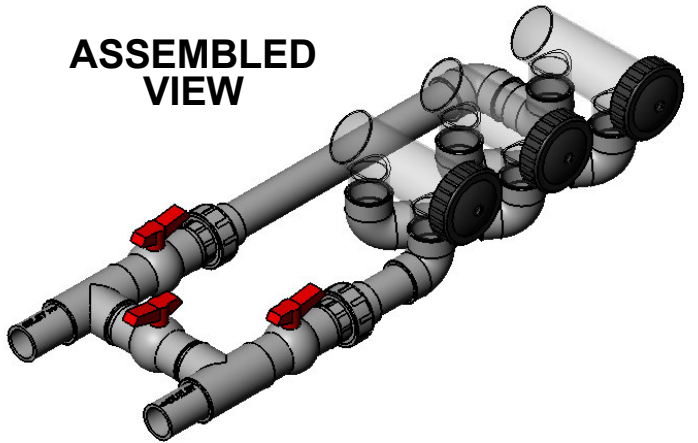
1

REV.		REVISIONS		DATE	APPROVED
A	ORIGINAL RELEASE			05/09/09	

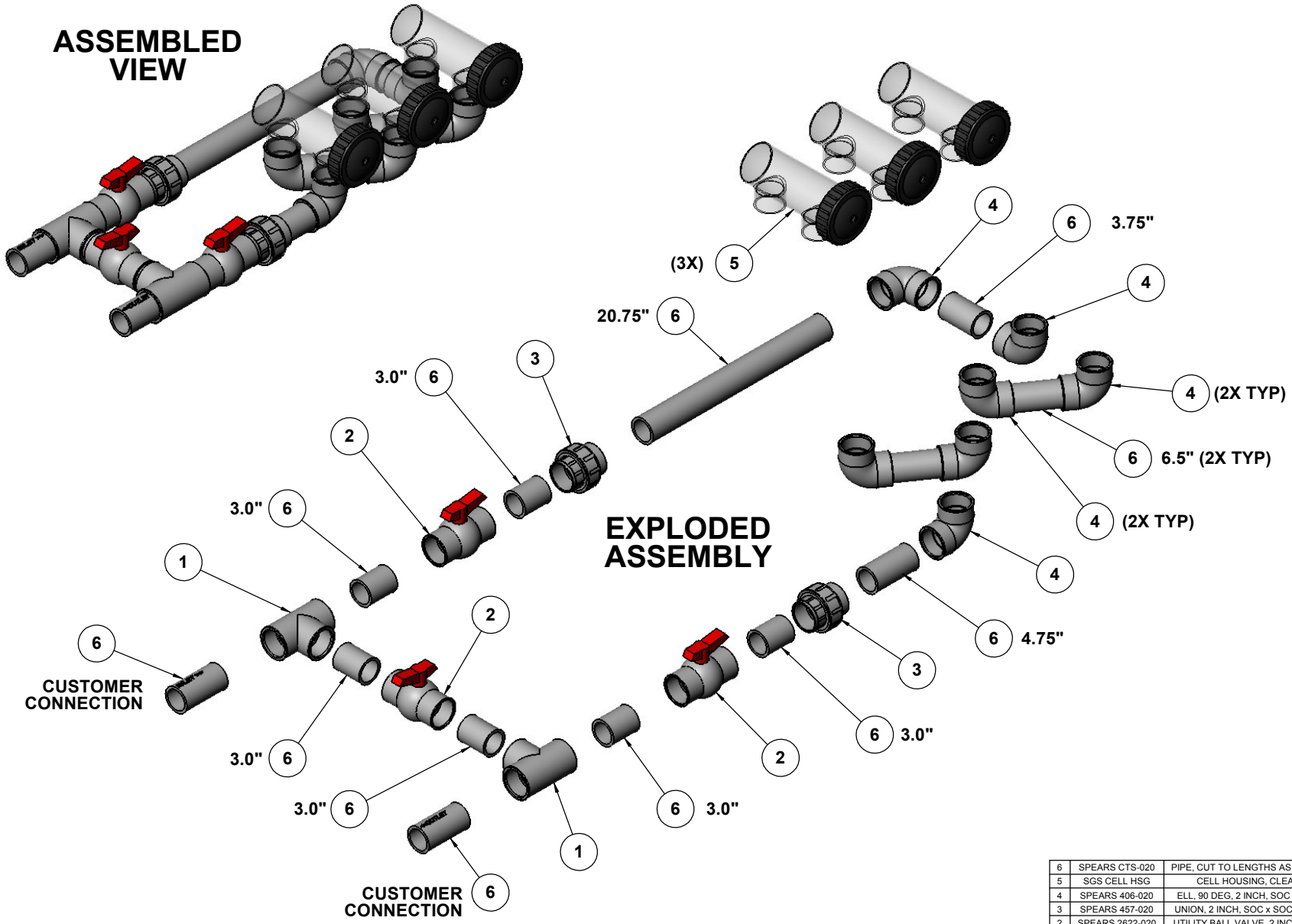


ITEM NO.	PART OR IDENTIFYING NO.	NOMENCLATURE OR DESCRIPTION	MATERIAL SPECIFICATION	QTY	RECD
PARTS LIST					
UNLESS OTHERWISE SPECIFIED DIMENSIONS ARE IN INCHES TOLERANCES ARE:		DRAWN PER ANSI Y14.5-1994			
DECIMALS	ANGLES	APPROVALS			
.XX+/- .12	+/- 30°	DRAWN	DATE	SALINE GENERATING SYSTEMS 1436 W. 12TH PLACE, TEMPE, AZ 85281-5214 THE INFORMATION CONTAINED IN THIS DRAWING IS THE SOLE PROPERTY OF SALINE GENERATING SYSTEMS. ANY REPRODUCTION WITHOUT THE WRITTEN PERMISSION OF SGS IS PROHIBITED. DRAWING NAME THREE CELL MANIFOLD	
.XXX+/- .05		K. ROPER	05/09/09		
.XXX+/- .03		CHECKED			
MATERIAL	--	RESP ENG		SIZE/DWG. NO.: C	
FINISH	--	MFG ENG		SGS 3 CELL	
DO NOT SCALE DRAWING		QUAL ENG		SCALE: 1/1 CAD FILE: CADFILE SHEET 2 OF 3	

REV.		REVISIONS		DATE	APPROVED
A	ORIGINAL RELEASE			05/09/09	



ASSEMBLED VIEW



EXPLODED ASSEMBLY

CUSTOMER CONNECTION

CUSTOMER CONNECTION

ITEM NO.	PART OR IDENTIFYING NO.	NOMENCLATURE OR DESCRIPTION	MATERIAL SPECIFICATION	QTY REQD
6	SPEARS CTS-020	PIPE, CUT TO LENGTHS AS NOTED	SCH 40 PVC	AVR
5	SGS CELL HSG	CELL HOUSING, CLEAR	ACRYLIC	3
4	SPEARS 406-020	ELL, 90 DEG, 2 INCH, SOC x SOC	SCH 40 PVC	7
3	SPEARS 457-020	UNION, 2 INCH, SOC x SOC x SOC	SCH 40 PVC	2
2	SPEARS 2622-020	UTILITY BALL VALVE, 2 INCH, SOC	SCH 40 PVC	3
1	SPEARS 401-020	TEE, 2 INCH, SOC x SOC x SOC	SCH 40 PVC	2

PARTS LIST		APPROVALS		DATE	DRAWING NAME
UNLESS OTHERWISE SPECIFIED DIMENSIONS ARE IN INCHES TOLERANCES ARE:		APPROVALS	DATE		SALINE GENERATING SYSTEMS 1436 W. 12TH PLACE, TEMPE, AZ 85281-5214 THE INFORMATION CONTAINED IN THIS DRAWING IS THE SOLE PROPERTY OF SALINE GENERATING SYSTEMS. ANY REPRODUCTION WITHOUT THE WRITTEN PERMISSION OF SGS IS PROHIBITED.
DECIMALS	ANGLES	DRAWN	05/09/09		
.XX+/- .12	+/- 30'	K. ADOPER			
.XXX+/- .03		CHECKED			
MATERIAL		RESP ENG			DRAWING NAME
FINISH		MFG ENG			THREE CELL MANIFOLD
DO NOT SCALE DRAWING		QUAL ENG			SIZE: DWG. NO. SGS 3 CELL REV. A
			SCALE: 1/1" = 1'-0"	CAD FILE	SHEET 3 OF 3