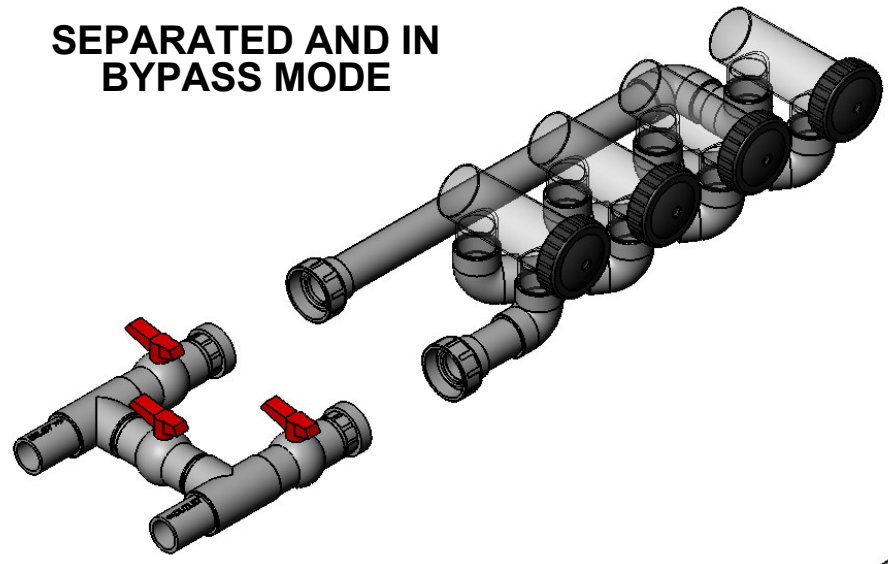


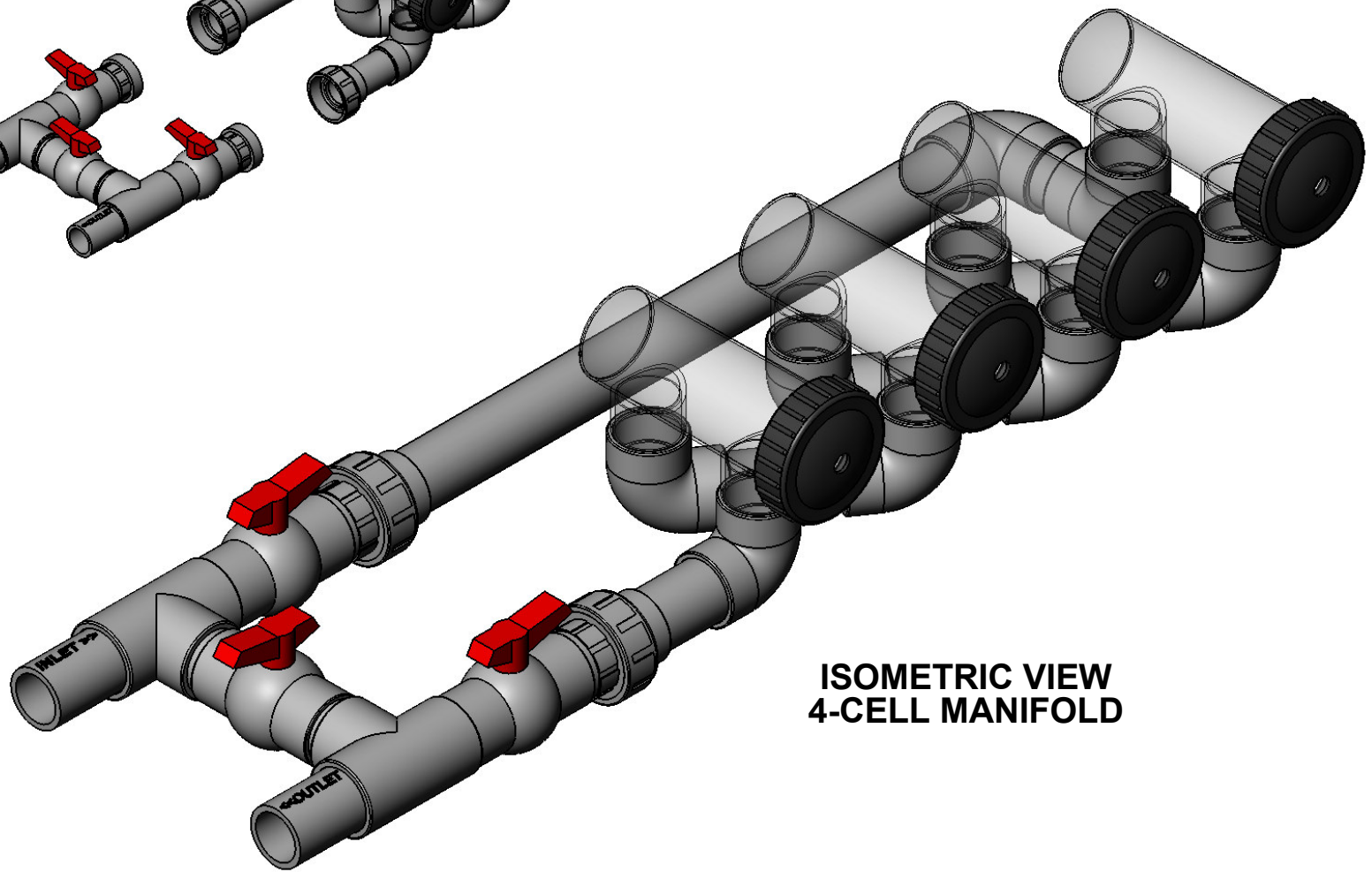
8 7 6 5 4 3 2 1

REV.		DESCRIPTION		REVISIONS		DATE	APPROVED
A	ORIGINAL RELEASE					05/09/09	

**SEPARATED AND IN BYPASS MODE**



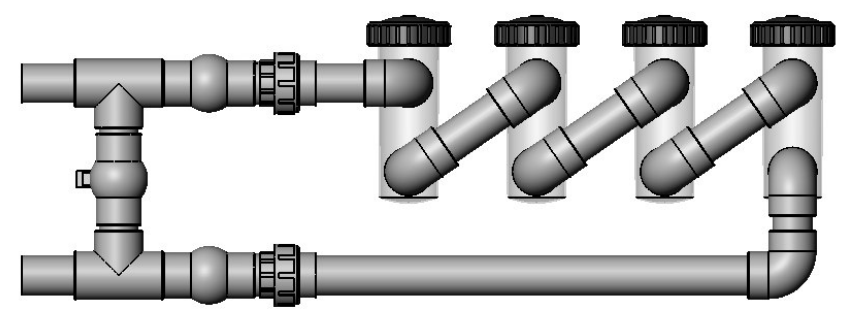
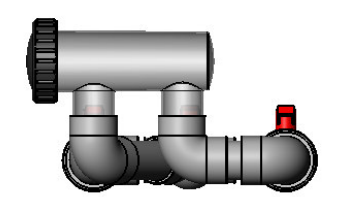
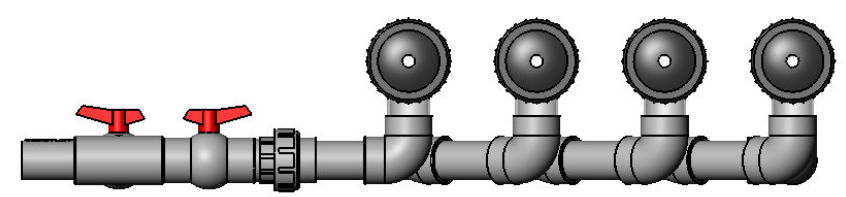
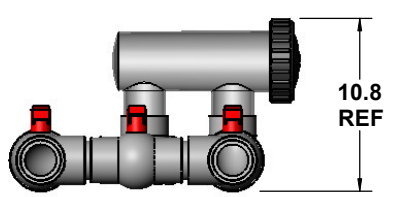
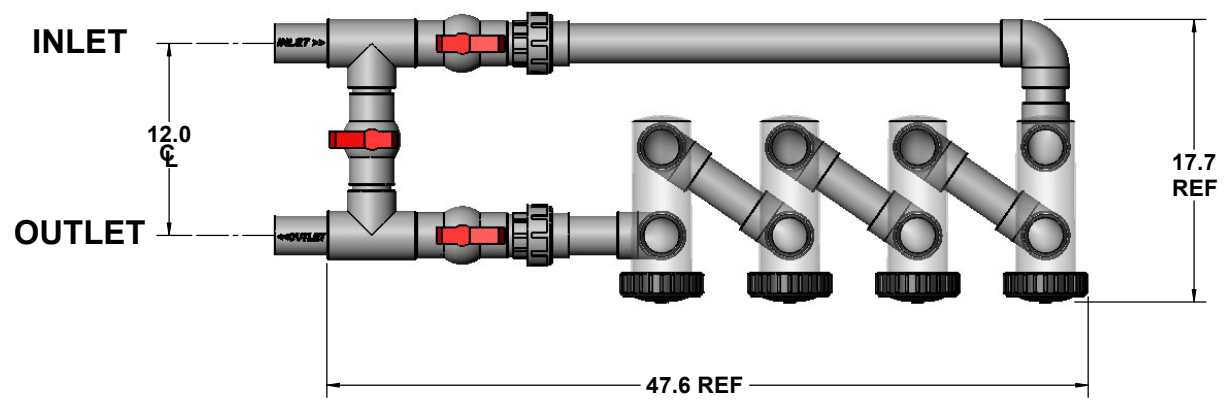
**ISOMETRIC VIEW 4-CELL MANIFOLD**



ITEM NO.	PART OR IDENTIFYING NO.	NOMENCLATURE OR DESCRIPTION	MATERIAL SPECIFICATION	QTY	RECD
PARTS LIST					
UNLESS OTHERWISE SPECIFIED DIMENSIONS ARE IN INCHES TOLERANCES ARE:		DRAWN PER ANSI Y14.5-1994			
DECIMALS	ANGLES	APPROVALS			
.XX+/- .12	+/- 30'	DRAWN	DATE	THE INFORMATION CONTAINED IN THIS DRAWING IS THE SOLE PROPERTY OF SALINE GENERATING SYSTEMS. ANY REPRODUCTION WITHOUT THE WRITTEN PERMISSION OF SGS IS PROHIBITED.	
.XXX+/- .05		K. ROPER	05/09/09	DRAWING NAME	
.XXX+/- .03		CHECKED		FOUR CELL MANIFOLD	
MATERIAL	--	RESP ENG		SIZE/DWG. NO.	
FINISH	--	MFG ENG		C	
DO NOT SCALE DRAWING		QUAL ENG		SCALE: 1/1" = 1/4" FILE CADFILE SHEET 1 OF 3	

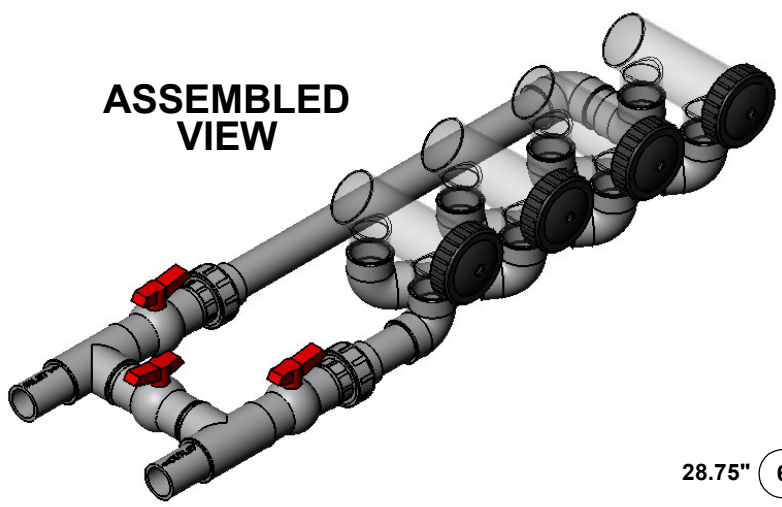
8 7 6 5 4 3 2 1

REV.		REVISIONS		DATE	APPROVED
A	ORIGINAL RELEASE			05/09/09	

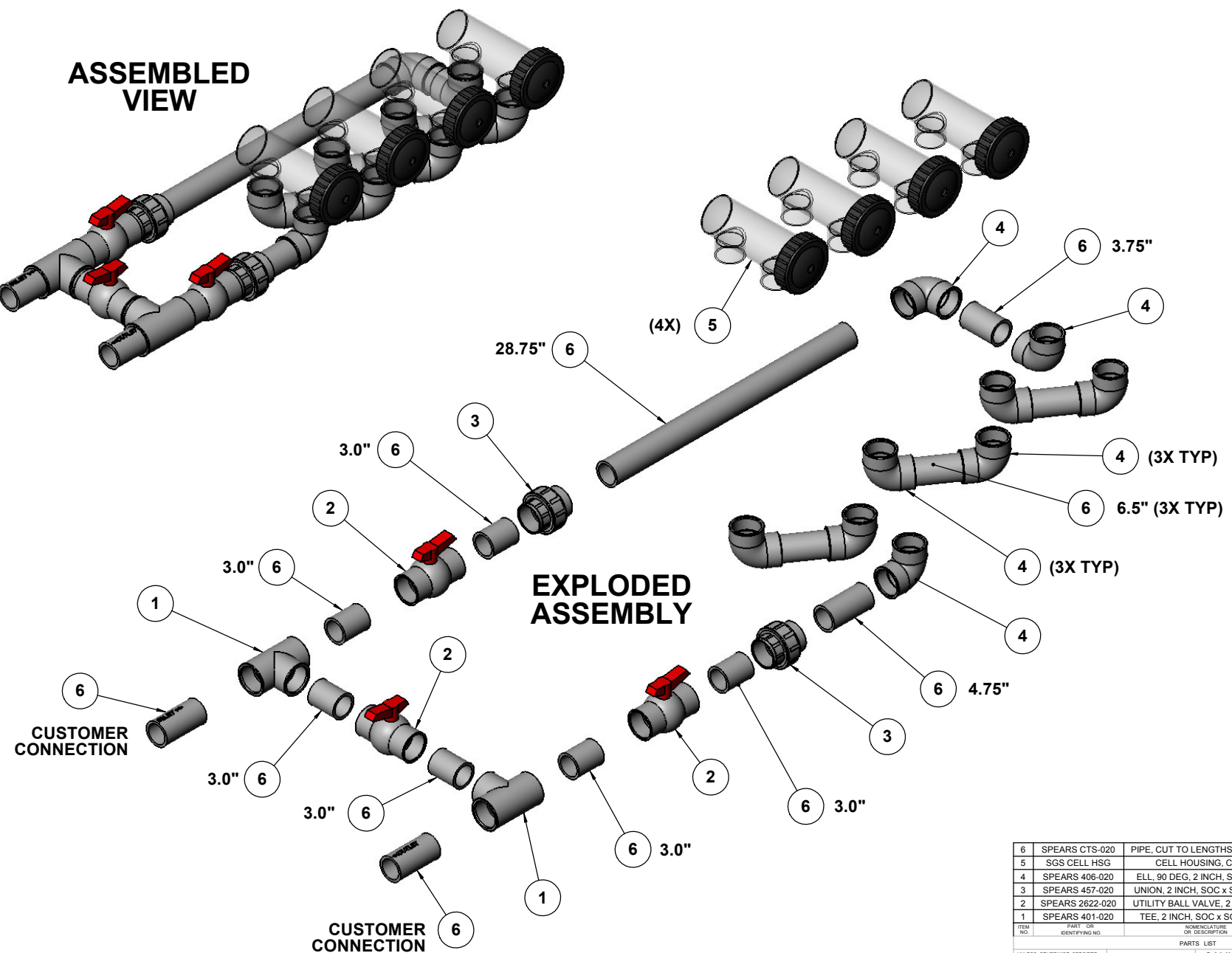


ITEM NO.	PART OR IDENTIFYING NO.	NOMENCLATURE OR DESCRIPTION	MATERIAL SPECIFICATION	QTY REQD
PARTS LIST				
UNLESS OTHERWISE SPECIFIED DIMENSIONS ARE IN INCHES TOLERANCES ARE:		DRAWN PER ANSI Y14.5-1994		
DECIMALS	ANGLES	APPROVALS	DATE	<b>SALINE GENERATING SYSTEMS</b> 1436 W. 12TH PLACE, TEMPE, AZ 85281-5214 THE INFORMATION CONTAINED IN THIS DRAWING IS THE SOLE PROPERTY OF SALINE GENERATING SYSTEMS. ANY REPRODUCTION WITHOUT THE WRITTEN PERMISSION OF SGS IS PROHIBITED. <b>DRAWING NAME</b> <b>FOUR CELL MANIFOLD</b> SIZE/DWG. NO.: <b>C</b>
.XX+/-0.12	+/-30'	DRAWN	05/09/09	
.XXX+/-0.05		K. ROPER		
.XXX+/-0.03		CHECKED		
MATERIAL	--	RESP ENG		
FINISH	--	MFG ENG		
DO NOT SCALE DRAWING		QUAL ENG		
SCALE: 1/1"		CAD FILE	SHEET 2 OF 3	

REV.		REVISIONS		DATE	APPROVED
A	ORIGINAL RELEASE			05/09/09	



**ASSEMBLED VIEW**



**EXPLODED ASSEMBLY**

**CUSTOMER CONNECTION**

**CUSTOMER CONNECTION**

ITEM NO.	PART OR IDENTIFYING NO.	NOMENCLATURE OR DESCRIPTION	MATERIAL SPECIFICATION	QTY REQD
6	SPEARS CTS-020	PIPE, CUT TO LENGTHS AS NOTED	SCH 40 PVC	A/R
5	SGS CELL HSG	CELL HOUSING, CLEAR	ACRYLIC	4
4	SPEARS 406-020	ELL, 90 DEG, 2 INCH, SOC x SOC	SCH 40 PVC	9
3	SPEARS 457-020	UNION, 2 INCH, SOC x SOC x SOC	SCH 40 PVC	2
2	SPEARS 2622-020	UTILITY BALL VALVE, 2 INCH, SOC	SCH 40 PVC	3
1	SPEARS 401-020	TEE, 2 INCH, SOC x SOC x SOC	SCH 40 PVC	2

PARTS LIST		APPROVALS		DATE	DRAWING NAME
UNLESS OTHERWISE SPECIFIED DIMENSIONS ARE IN INCHES TOLERANCES ARE:	DECIMALS .XX+/- .12 .XXX+/- .03	ANGLES +/-30'	DRAWN K. ADP/ER	05/09/09	SGS 4 CELL
MATERIAL --	FINISH --	RESP ENG	CHECKED		SCALE 1/1" = 1'-0"
DO NOT SCALE DRAWING	QUAL ENG				CAD FILE

PARTS LIST		APPROVALS		DATE	DRAWING NAME
DRAWN PER ANSI Y14.5-1994		APPROVALS		05/09/09	SGS 4 CELL
DRAWN K. ADP/ER		RESP ENG			SCALE 1/1" = 1'-0"
CHECKED		MFG ENG			CAD FILE
MATERIAL --		QUAL ENG			
FINISH --					
DO NOT SCALE DRAWING					

**SALINE GENERATING SYSTEMS**  
1436 W. 12TH PLACE, TEMPE, AZ 85281-5214

THE INFORMATION CONTAINED IN THIS DRAWING IS THE SOLE PROPERTY OF SALINE GENERATING SYSTEMS. ANY REPRODUCTION WITHOUT THE WRITTEN PERMISSION OF SGS IS PROHIBITED.

**FOUR CELL MANIFOLD**

SIZE: DWG. NO. **SGS 4 CELL** REV. **A**

SHEET 3 OF 3