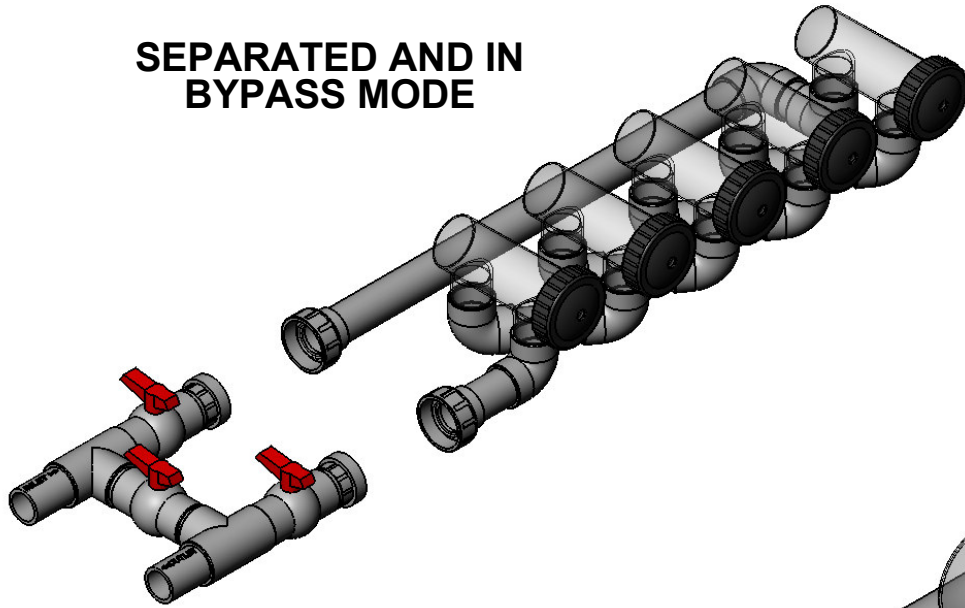
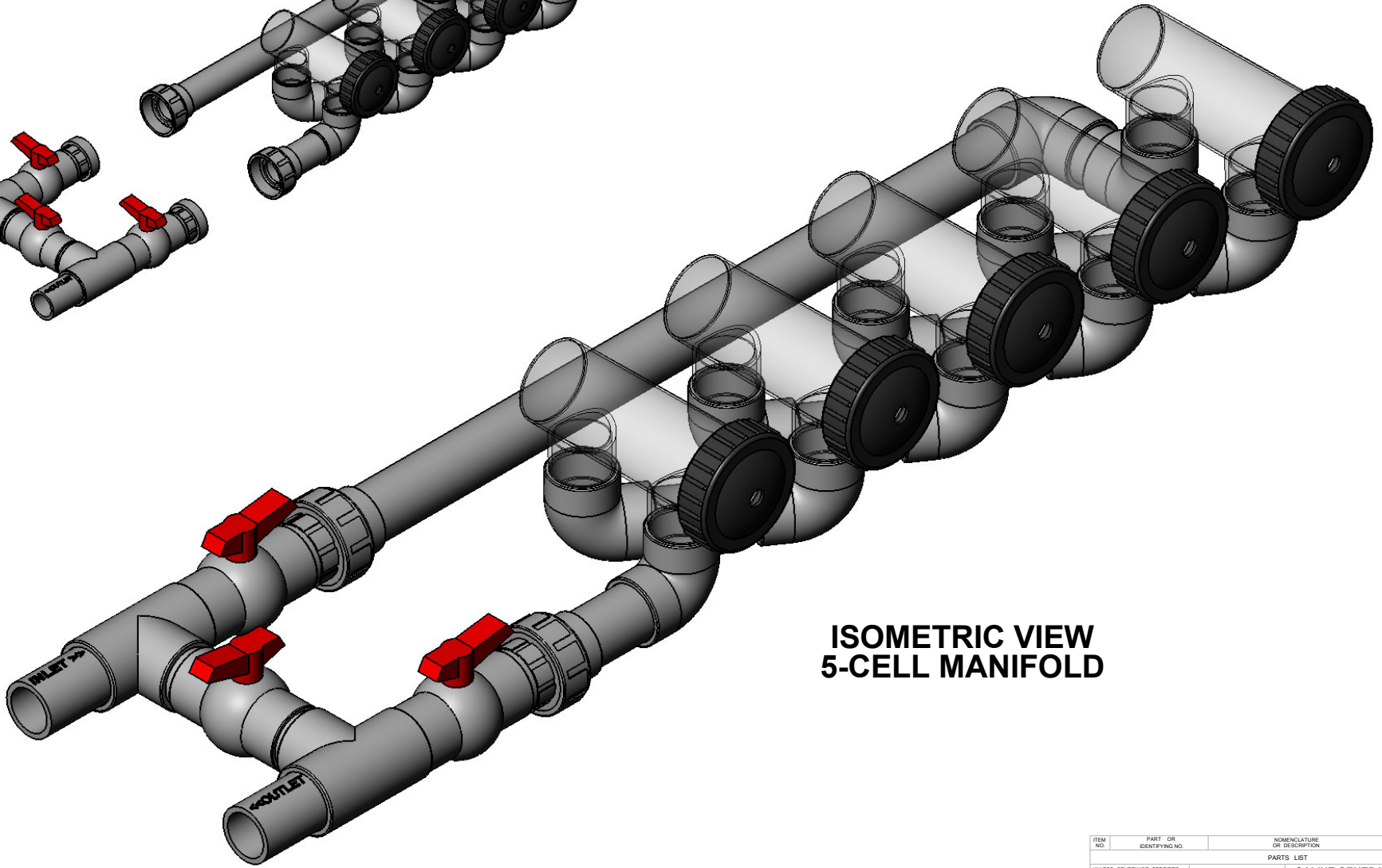


REV.		DESCRIPTION		REVISIONS		DATE	APPROVED
A		ORIGINAL RELEASE				02/20/09	

**SEPARATED AND IN BYPASS MODE**



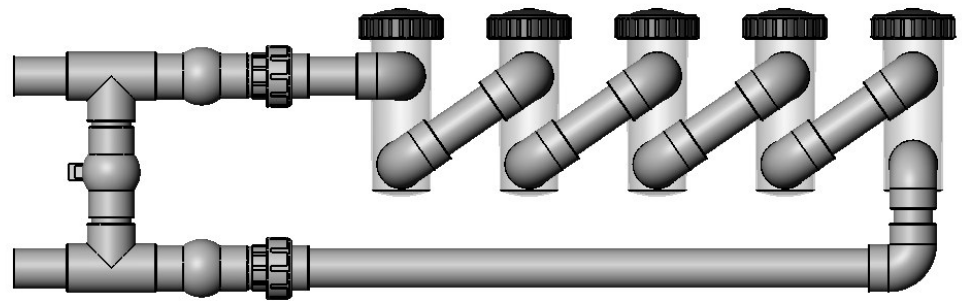
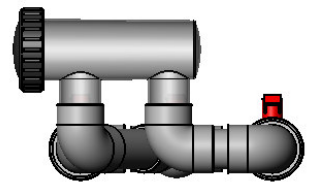
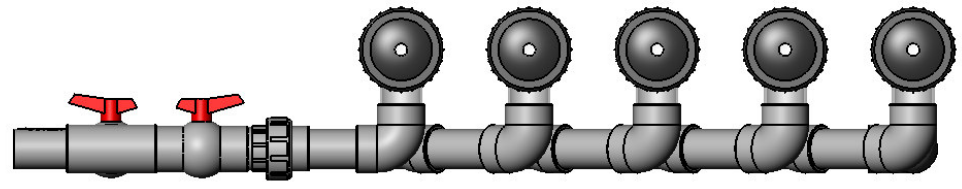
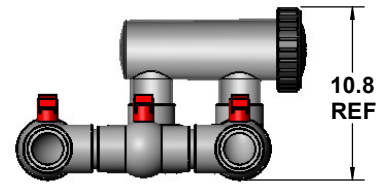
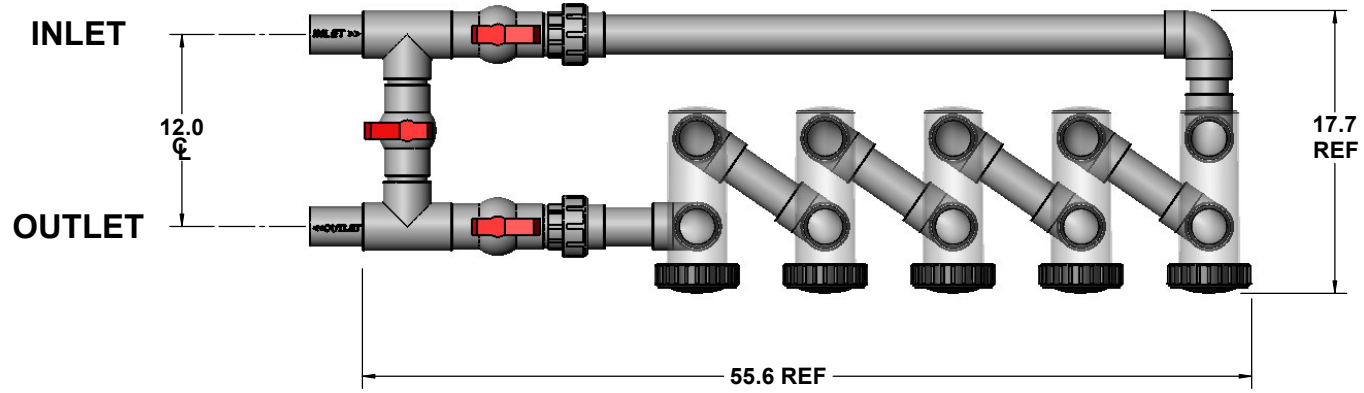
**ISOMETRIC VIEW  
5-CELL MANIFOLD**



ITEM NO.	PART OR IDENTIFYING NO.	NOMENCLATURE OR DESCRIPTION	MATERIAL SPECIFICATION	QTY	REQD
PARTS LIST					
UNLESS OTHERWISE SPECIFIED DIMENSIONS ARE IN INCHES TOLERANCES ARE:		<b>SALINE GENERATING SYSTEMS</b> 1436 W. 12TH PLACE, TEMPE, AZ 85281-5214			
DECIMALS	ANGLES	APPROVALS	DATE	THE INFORMATION CONTAINED IN THIS DRAWING IS THE SOLE PROPERTY OF SALINE GENERATING SYSTEMS. ANY REPRODUCTION WITHOUT THE WRITTEN PERMISSION OF SGS IS PROHIBITED.	
.XX+/- .12	+/- 30'	DRAWN	02/20/09	DRAWING NAME	
.XXX+/- .05		CHECKED		FIVE CELL MANIFOLD	
MATERIAL	--	RESP ENG		SIZE/DWG. NO. <b>SGS 5 CELL</b>	
FINISH	--	MFG ENG		SCALE 1/1" = 1'-0" CAD FILE SHEET 1 OF 3	
DO NOT SCALE DRAWING		QUAL ENG		REV. <b>A</b>	

8 7 6 5 4 3 2 1

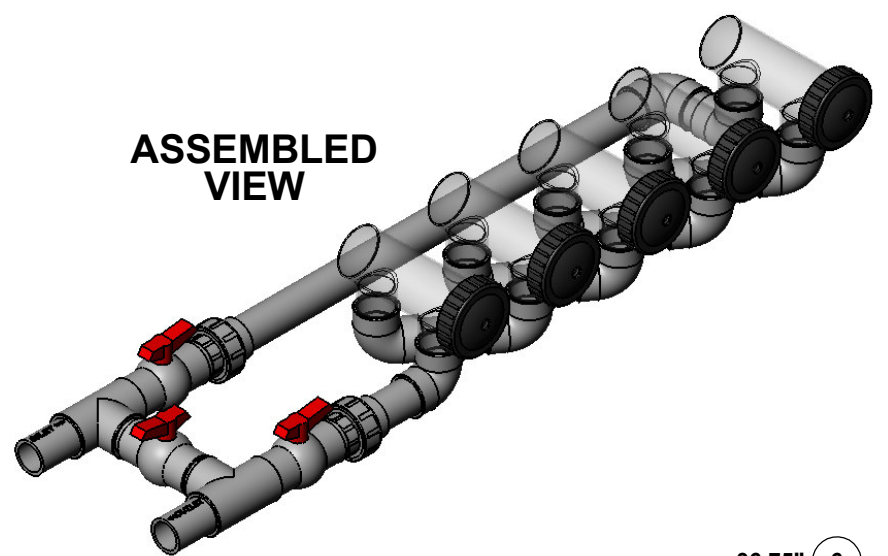
REVISIONS		DATE	APPROVED
REV.	DESCRIPTION		
A	ORIGINAL RELEASE	02/20/09	



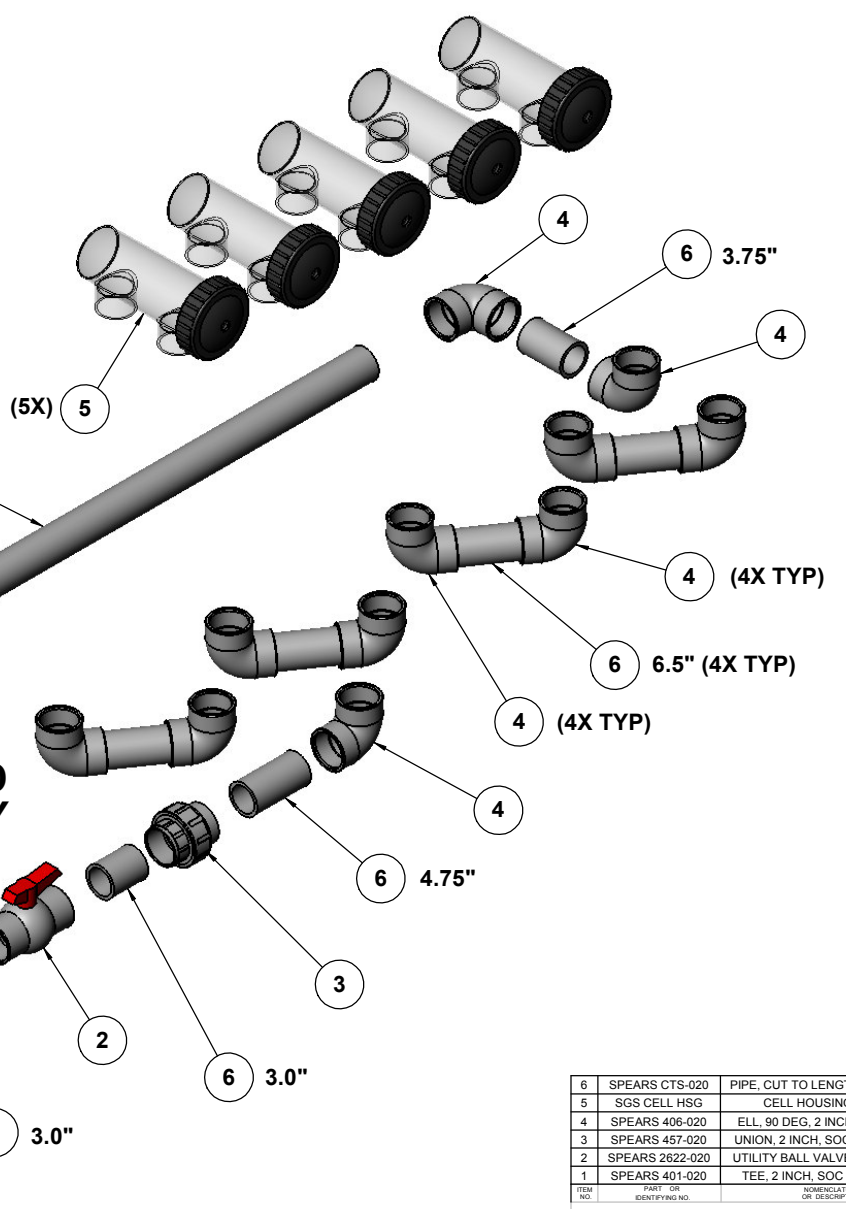
ITEM NO.	PART OR IDENTIFYING NO.	NOMENCLATURE OR DESCRIPTION	MATERIAL SPECIFICATION	QTY REQD
PARTS LIST				
UNLESS OTHERWISE SPECIFIED DIMENSIONS ARE IN INCHES TOLERANCES ARE:				
DECIMALS	ANGLES	APPROVALS		
.XX+/- .12	+/- 30'	DRAWN	DATE	DRAWING NAME
.XXX+/- .05		K. ROPER	02/20/09	
.XXX+/- .03		CHECKED		
MATERIAL	--	RESP ENG		
FINISH	--	MFG ENG		
DO NOT SCALE DRAWING		QUAL ENG		
		DRAWN PER ANSI Y14.5-1994		
		SALINE GENERATING SYSTEMS		
		1436 W. 12TH PLACE, TEMPE, AZ 85281-5214		
		THE INFORMATION CONTAINED IN THIS DRAWING IS THE SOLE PROPERTY OF SALINE GENERATING SYSTEMS. ANY REPRODUCTION WITHOUT THE WRITTEN PERMISSION OF SGS IS PROHIBITED.		
		FIVE CELL MANIFOLD		
		SIZE/DWG. NO.	SGS 5 CELL	REV. A
		SCALE	1/1	SHEET 2 OF 3
		CAD FILE		

8 7 6 5 4 3 2 1

REV.		REVISIONS		DATE	APPROVED
A	ORIGINAL RELEASE			02/20/09	



**ASSEMBLED VIEW**



**EXPLODED ASSEMBLY**

**CUSTOMER CONNECTION**

**CUSTOMER CONNECTION**

ITEM NO.	PART OR IDENTIFYING NO.	NOMENCLATURE OR DESCRIPTION	MATERIAL SPECIFICATION	QTY	REGR
6	SPEARS CTS-020	PIPE, CUT TO LENGTHS AS NOTED	SCH 40 PVC	AVR	
5	SGS CELL HSG	CELL HOUSING, CLEAR	ACRYLIC	5	
4	SPEARS 406-020	ELL, 90 DEG, 2 INCH, SOC x SOC	SCH 40 PVC	11	
3	SPEARS 457-020	UNION, 2 INCH, SOC x SOC x SOC	SCH 40 PVC	2	
2	SPEARS 2622-020	UTILITY BALL VALVE, 2 INCH, SOC	SCH 40 PVC	3	
1	SPEARS 401-020	TEE, 2 INCH, SOC x SOC x SOC	SCH 40 PVC	2	

PARTS LIST		APPROVALS		DATE	DRAWING NAME
UNLESS OTHERWISE SPECIFIED DIMENSIONS ARE IN INCHES TOLERANCES ARE:		APPROVALS	DATE		<b>SALINE GENERATING SYSTEMS</b> 1436 W. 12TH PLACE, TEMPE, AZ 85281-5214 THE INFORMATION CONTAINED IN THIS DRAWING IS THE SOLE PROPERTY OF SALINE GENERATING SYSTEMS. ANY REPRODUCTION WITHOUT THE WRITTEN PERMISSION OF SGS IS PROHIBITED.
DECIMALS	ANGLES	DRAWN	02/20/09		
.XX+/- .12	+/- 30'	K. ADOPER			
.XXX+/- .05		CHECKED			
MATERIAL		RESP ENG			DRAWING NAME
FINISH		MFG ENG			<b>FIVE CELL MANIFOLD</b>
DO NOT SCALE DRAWING		QUAL ENG			SIZE/DWG. NO. <b>SGS 5 CELL</b>
			SCALE: 1/1"	CAD FILE	REV. <b>A</b>
					SHEET 3 OF 3